

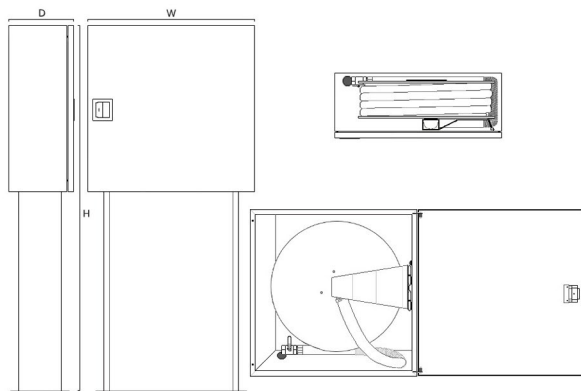
B SERIES

special

FIRE HOSE REEL WITH CABINET AND SUPPORT BASE

Model: 25/20/25/30 B SB

Fire Hose Reel with manual stop valve, mounted on a swinging arm allowing a 180° swing, enabling the hose to run all directions. The Hose Reel can be easily removed from the cabinet to simplify its installation process. The cabinet is mounted on a support which is fixed to the ground. The watersupply piping can be hidden inside the metallic support structure.



technical features

Models	25/20 B SB, 25/25 B SB and 25/30 B SB
Certificate	According to EN 671-1:2012
Cabinet	Galvanized steel ST12 - 1,5 mm Quick opening handle Powder paint finished RAL 3000 - min. 70 microns Door sign in accordance with ISO 7010 (EN 671-1 :2012)
Hose Reel	Steel side discs of Ø550mm - 1,2mm Centre parts made of brass Swinging arm support - Swinging angle 180° Powder paint finished RAL 3000 - min. 70 microns Corrosion treatment
Support Base	Galvanized steel ST12 - 1,5mm Dimension: 850 x 500 x 180mm Electrostatic powder painting - min. 70 microns
Hose	Ø 25mm, according to EN 694
Nozzle	Three positions (Shut-off / jet / spray) Ø 10mm Factor K = 42
Stop valve	1" manual stop valve

MODEL	HOSE		DIMENSIONS *	REFERENCE
	Ø	Length	W x H x D	
25/20 B SB	25mm	20m	650 x 1500 x 260mm	301020
25/25 B SB	25mm	25m	650 x 1500 x 260mm	301012
25/30 B SB	25mm	30m	650 x 1500 x 300mm	301043

* Dimensions above are standard. Any other dimensions can be manufactured according to customer needs.

OPTIONS:

Color:

- RAL 9010
 RAL _____

Door opening:

- Left

Pressure gauge:

- 0 - 25 bar

Hose:

- Textile coating