

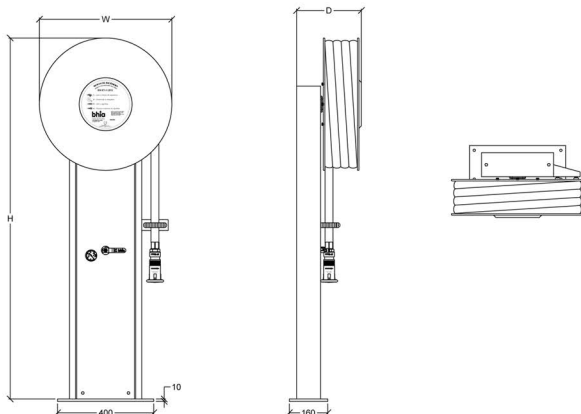
P SERIES

stainless steel

FIRE HOSE REEL WITH SUPPORT BASE IN STAINLESS STEEL

Model: 25/20/25/30 P SB AICN

Fire Hose Reel with manual stop valve. The Hose Reel is mounted on a support base, built in stainless steel plate (AISI 304), fixed to the ground. The water supply piping can be hidden inside the metallic support structure.



technical features

Model	25/20 P SB AICN, 25/25 P SB AICN and 25/30 P SB AICN
Certificate	According to EN 671-1:2012
Fire Hose Reel	Steel side discs Ø550mm - 1,2 mm Centre parts made of brass Fixed on a support base Powder paint finished RAL 3000 Corrosion treatment Electrostatic powder painting - min. 70 micron
Support base	Stainless steel (AISI 304) - 1,5mm Dimension: (W)300 x (H)1300 x (D) 100mm
Hose	Ø 25mm, according to EN 694
Nozzle	Three positions (Shift-off / jet / spray) Ø 10mm Factor K = 42
Stop valve	1" manual stop valve

MODEL	HOSE		DIMENSIONS	REFERENCE
	Ø	Length	W x H x D	
25/20 P SB AICN	25mm	20m	550 x 1500 x 245mm	301134
25/25 P SB AICN	25mm	25m	550 x 1500 x 245mm	301131
25/30 P SB AICN	25mm	30m	550 x 1500 x 285mm	301132

OPTIONS:

Pressure gauge:

0 - 25 bar

Hose:

Textile coating