

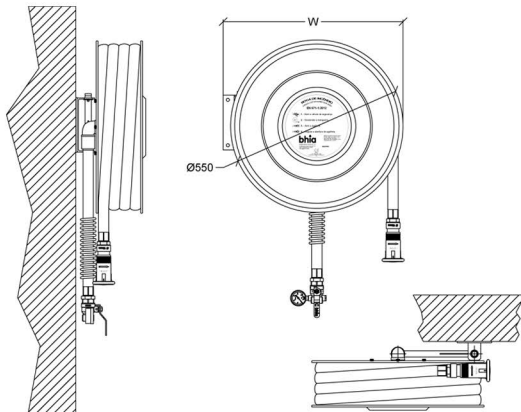
P SERIES

stainless steel

STAINLESS STEEL FIRE HOSE REEL

Model: 25/20/25/30 P (T180°) AICN

Stainless Fire Hose Reel equipped with a manual stop valve. The Fire Hose Reel is supplied with a wallmounting swinging arm, allowing the hose reel to swing through 180°, enabling the hose to run in all directions.



technical features

Models	25/20 P (T180°) AICN, 25/25 P (T180°) AICN and 25/30 P (T180°) AICN
Certificate	According to EN 671-1:2012
Fire Hose Reel	Stainless steel side discs Ø550mm - 1,2 mm Centre parts made of brass Swinging arm support - Swinging angle of 180° 1,10 mt supply hose including spiral spring
Hose	Ø 25mm, according to EN 694
Nozzle	Three positions (Shift-off / jet / spray) Ø 10mm Factor K = 42
Stop valve	1" manual stop valve



MODEL	HOSE		DIMENSIONS	REFERENCE
	Ø	Length	Ø x W x D	
25/20 P (T180°) AICN	25mm	20m	550 x 650 x 200mm	
25/25 P (T180°) AICN	25mm	25m	550 x 650 x 200mm	
25/30 P (T180°) AICN	25mm	30m	550 x 650 x 240mm	301165.1

OPTIONS:

Pressure gauge:

0 – 25 bar

Hose:

Textile coating